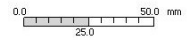
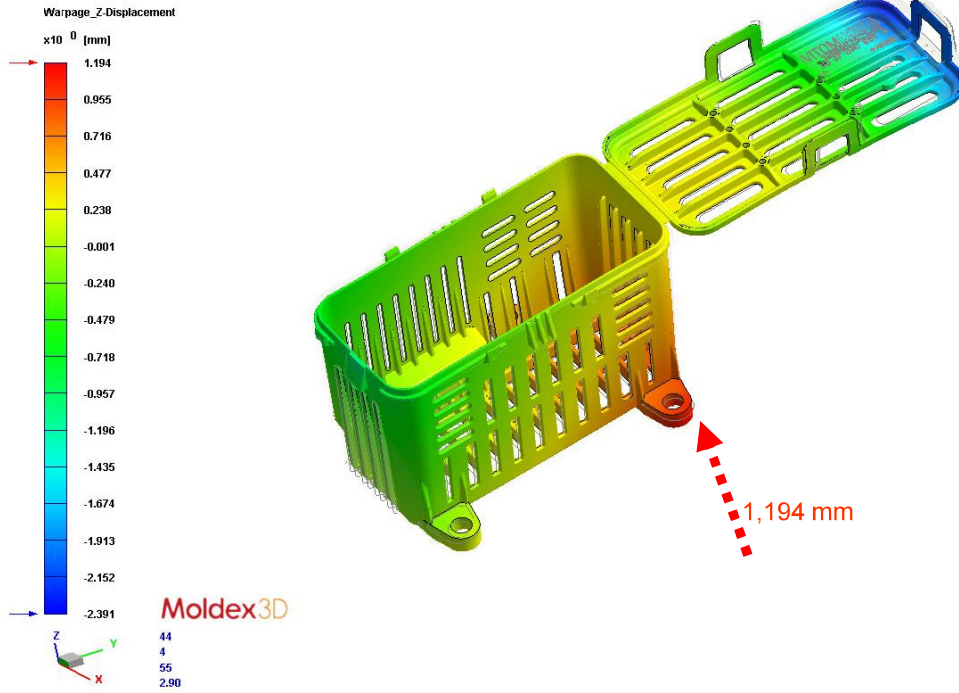


Deformation

→ Z-Deformation



→ Total -Deformation

